



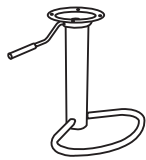



# Assembly Instruction

Ax1 	Ex1 
Bx1 	Fx4  M6*16mm
Cx1 	Jx1 
Dx1 