

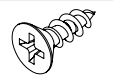
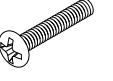



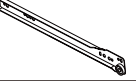
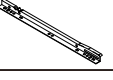

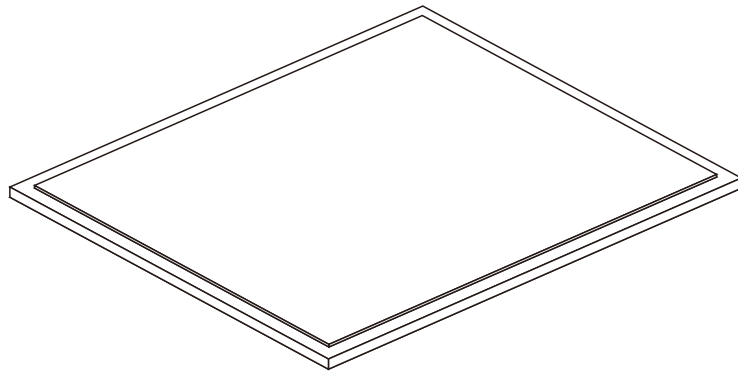
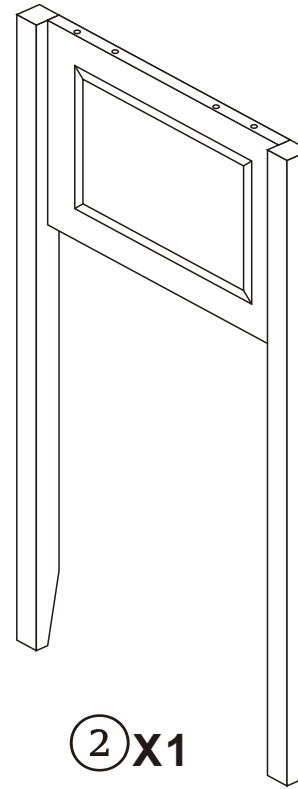
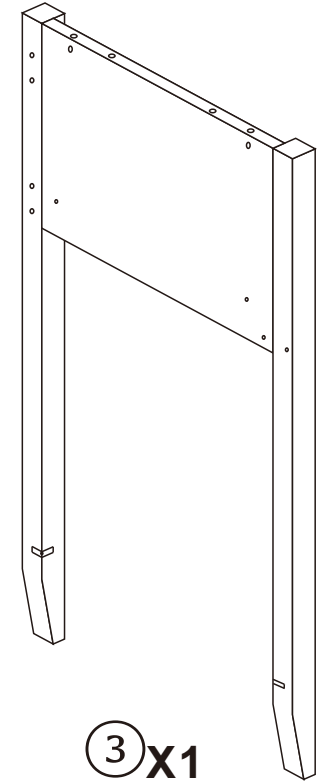
	Ax8
	Bx14
	Cx10
	Dx8
	Ex1
	Fx1
	Gx1
	Hx1
	Ix1
	Jx1
	Kx2



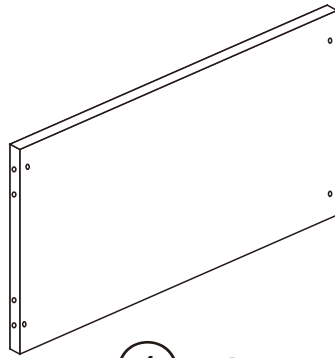
① X1



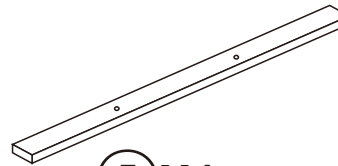
② X1



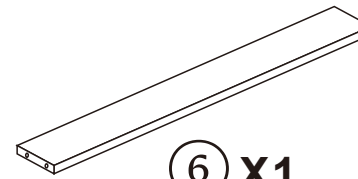
③ X1



④ X1



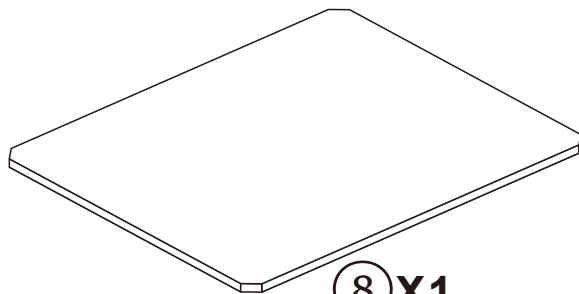
⑤ X1



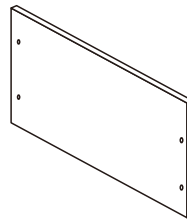
⑥ X1



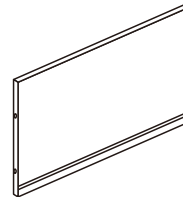
⑦ X1



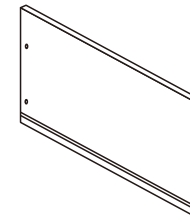
⑧ X1



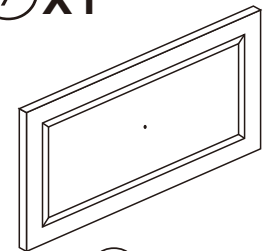
⑨ X1



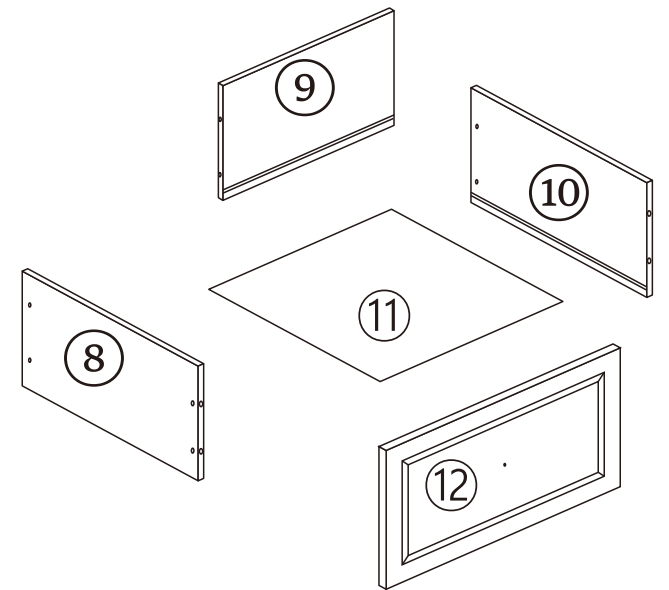
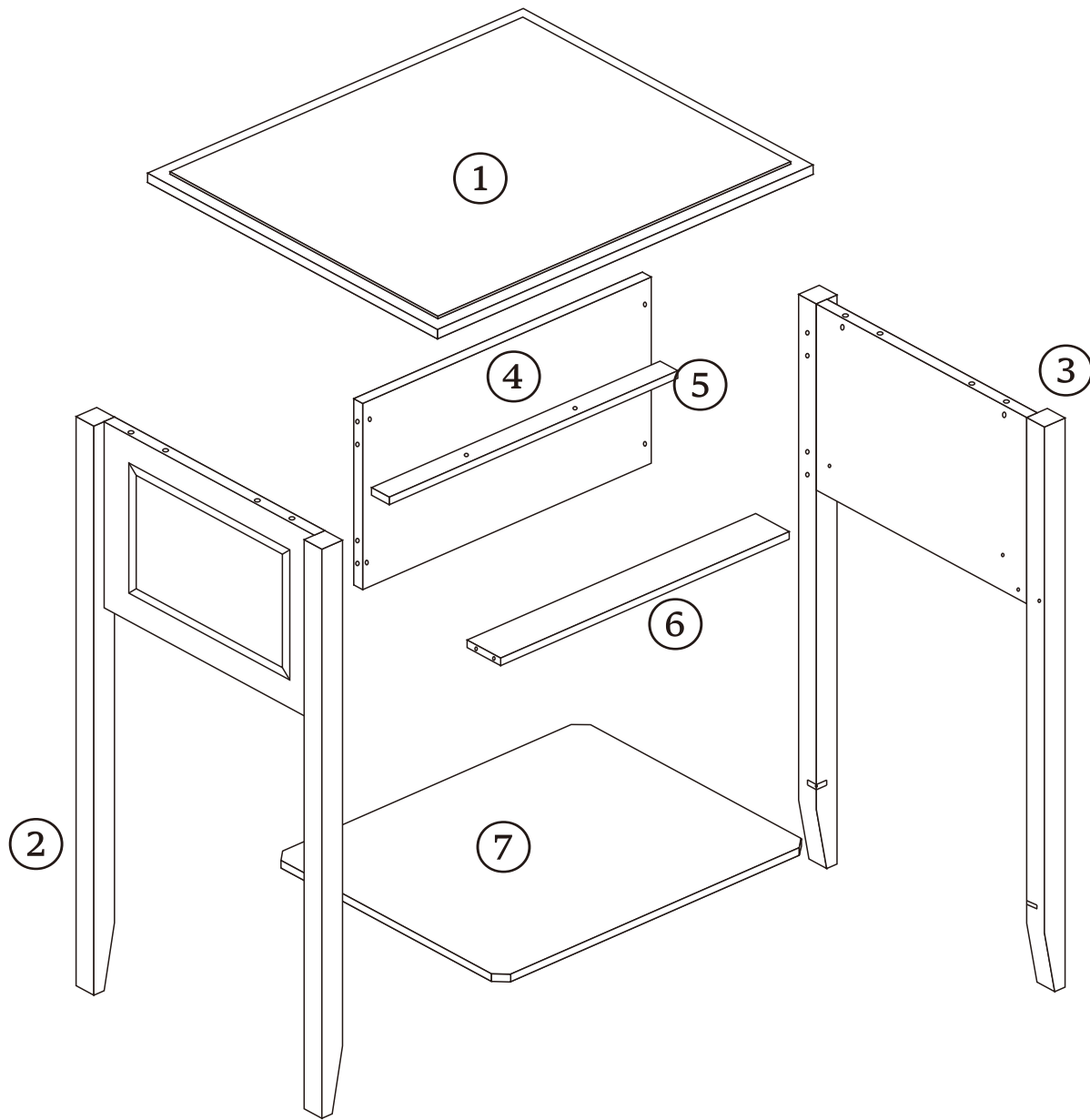
⑩ X1



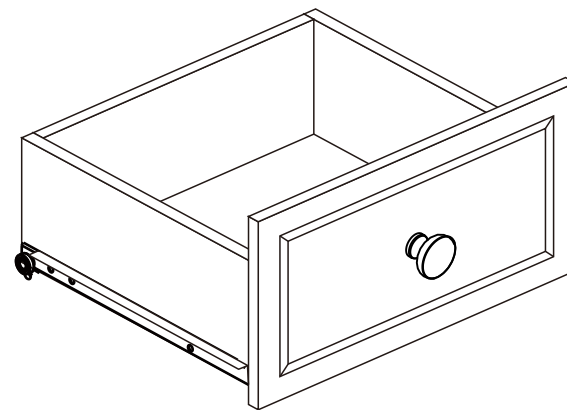
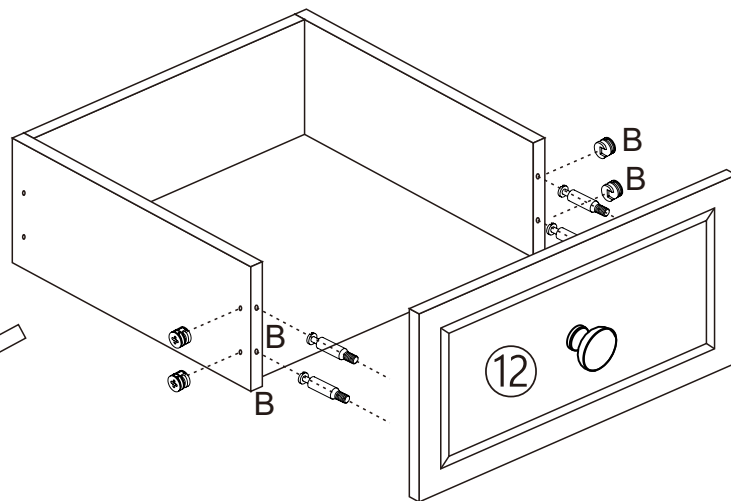
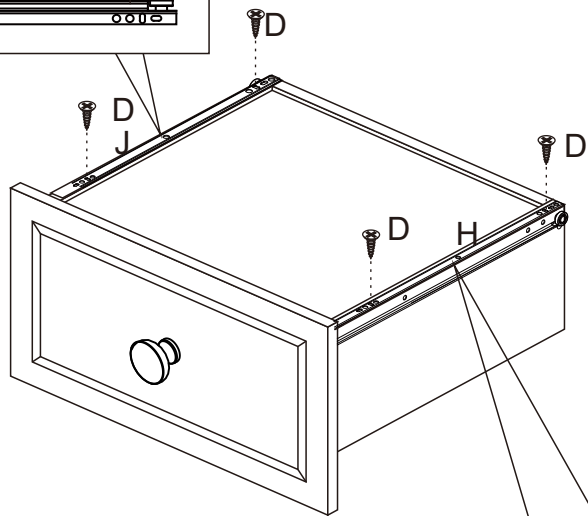
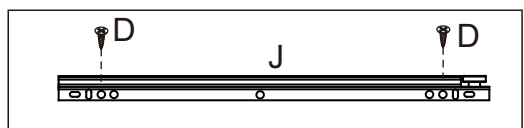
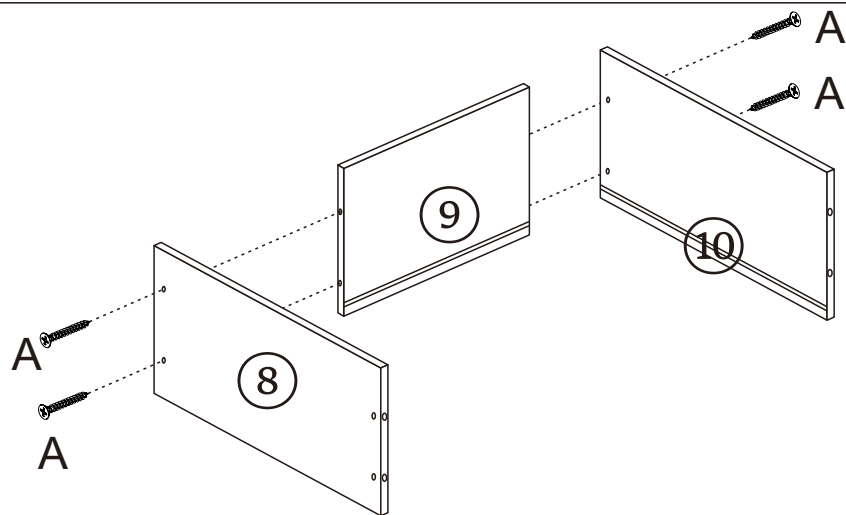
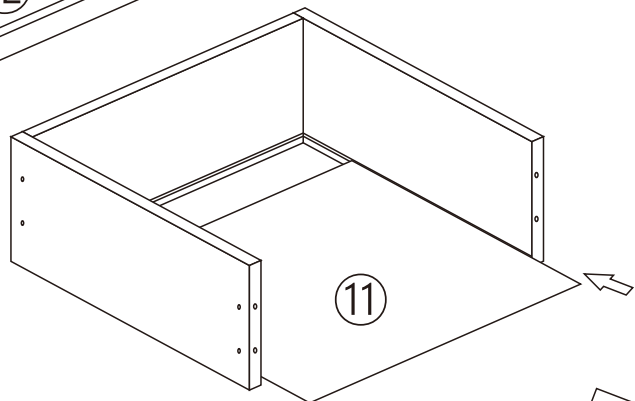
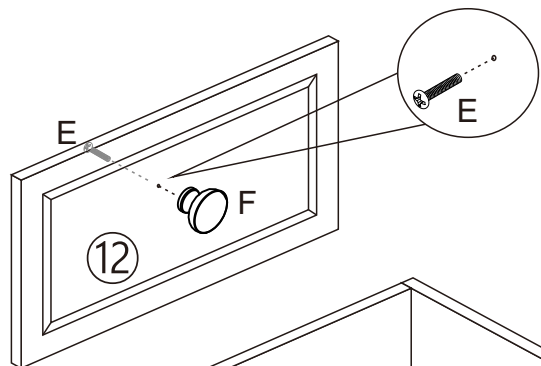
⑪ X1



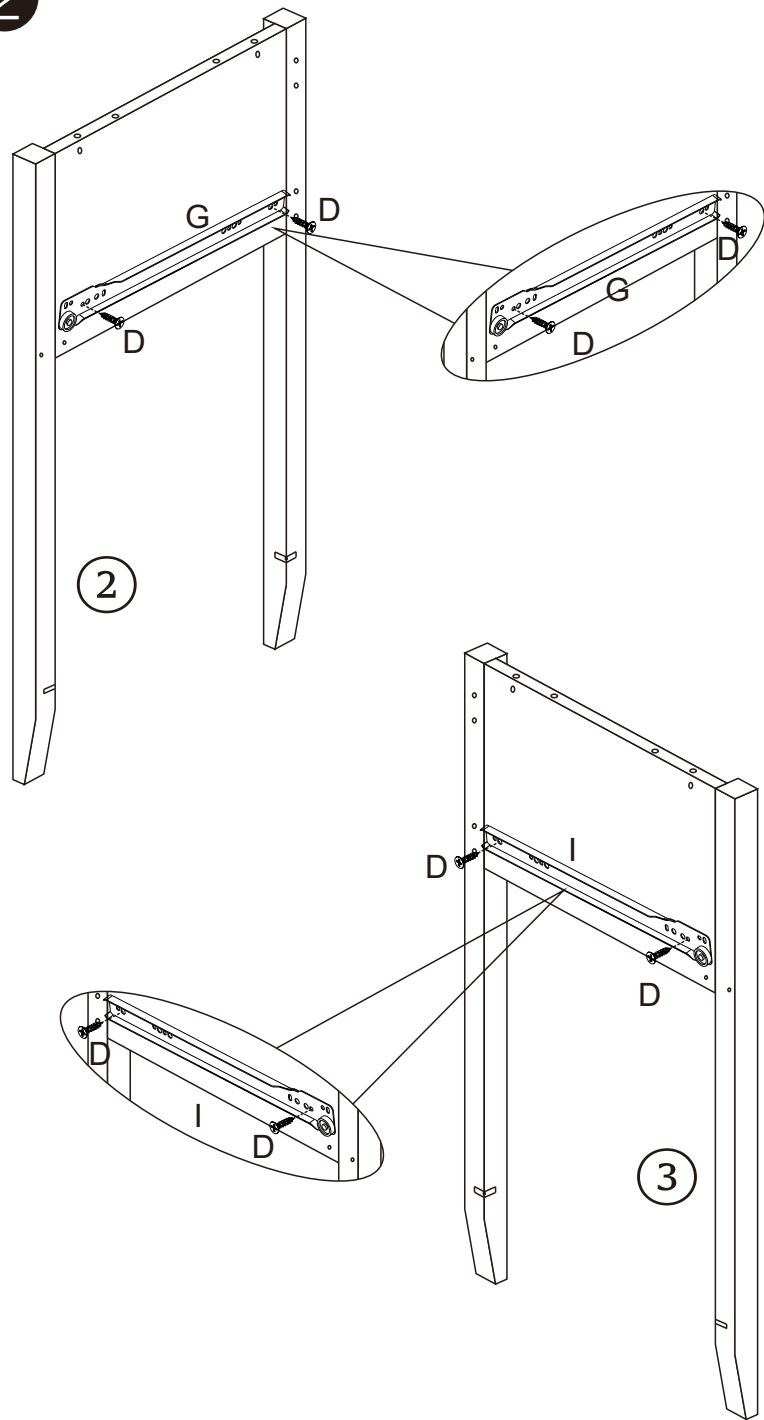
⑫ X1



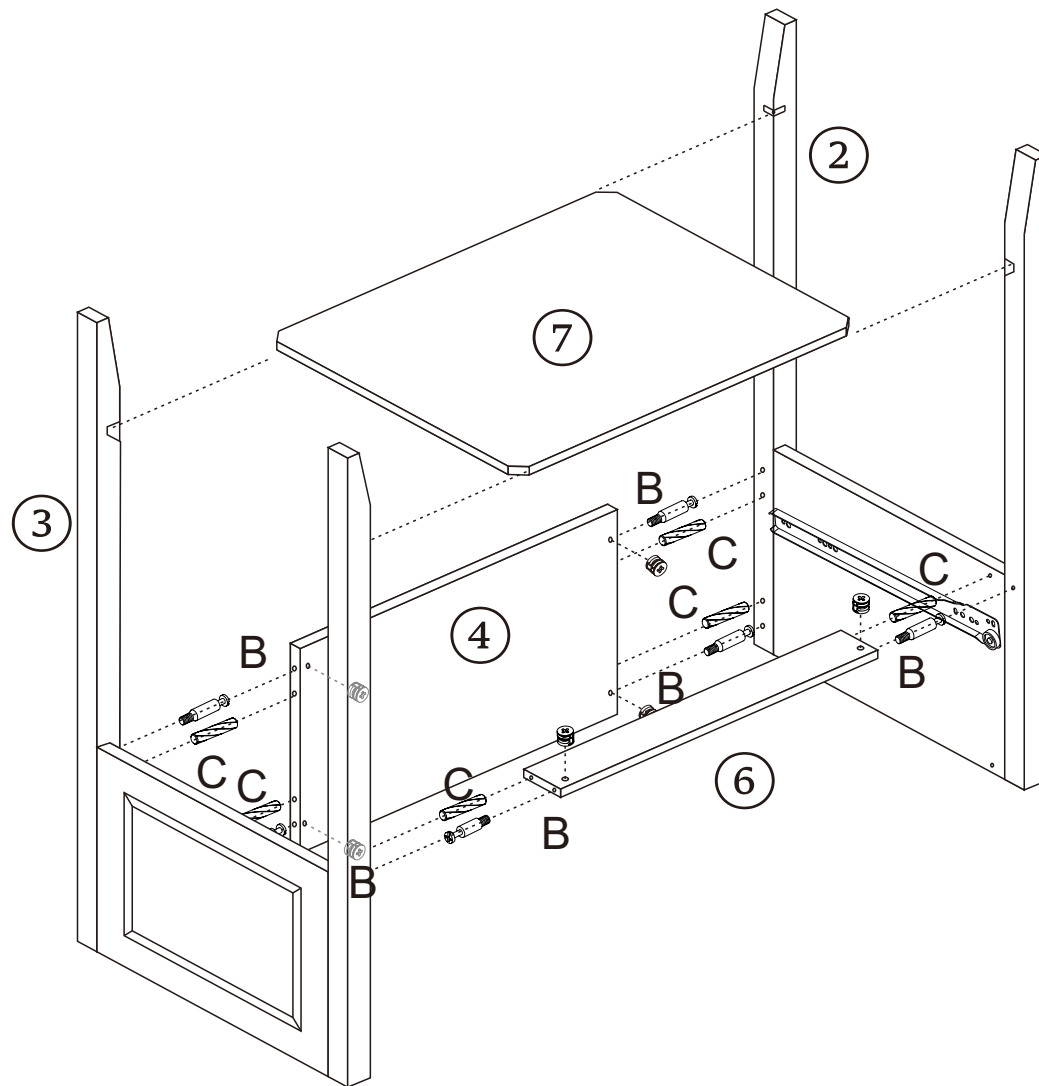
1



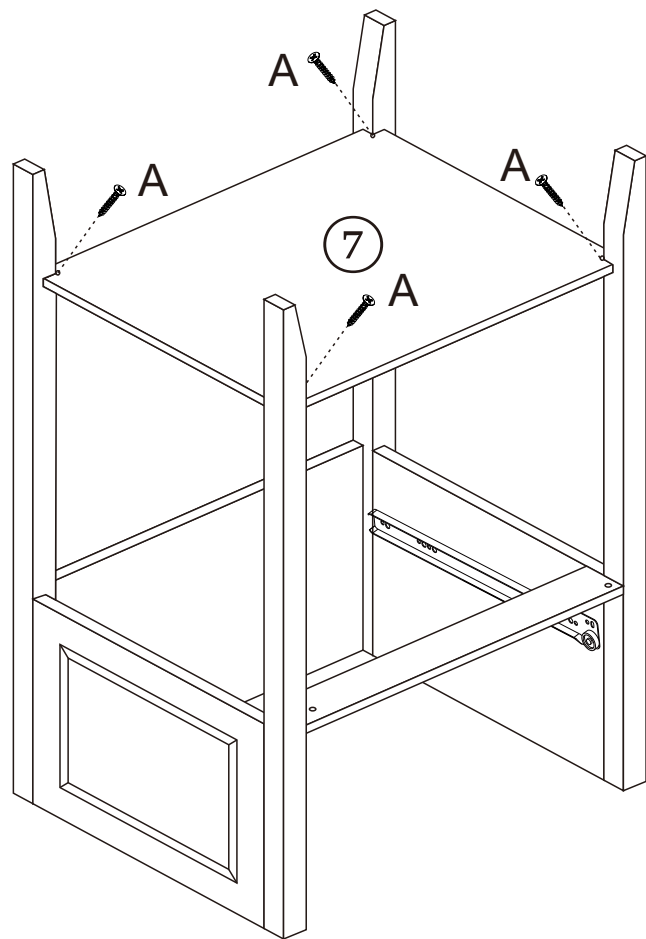
2



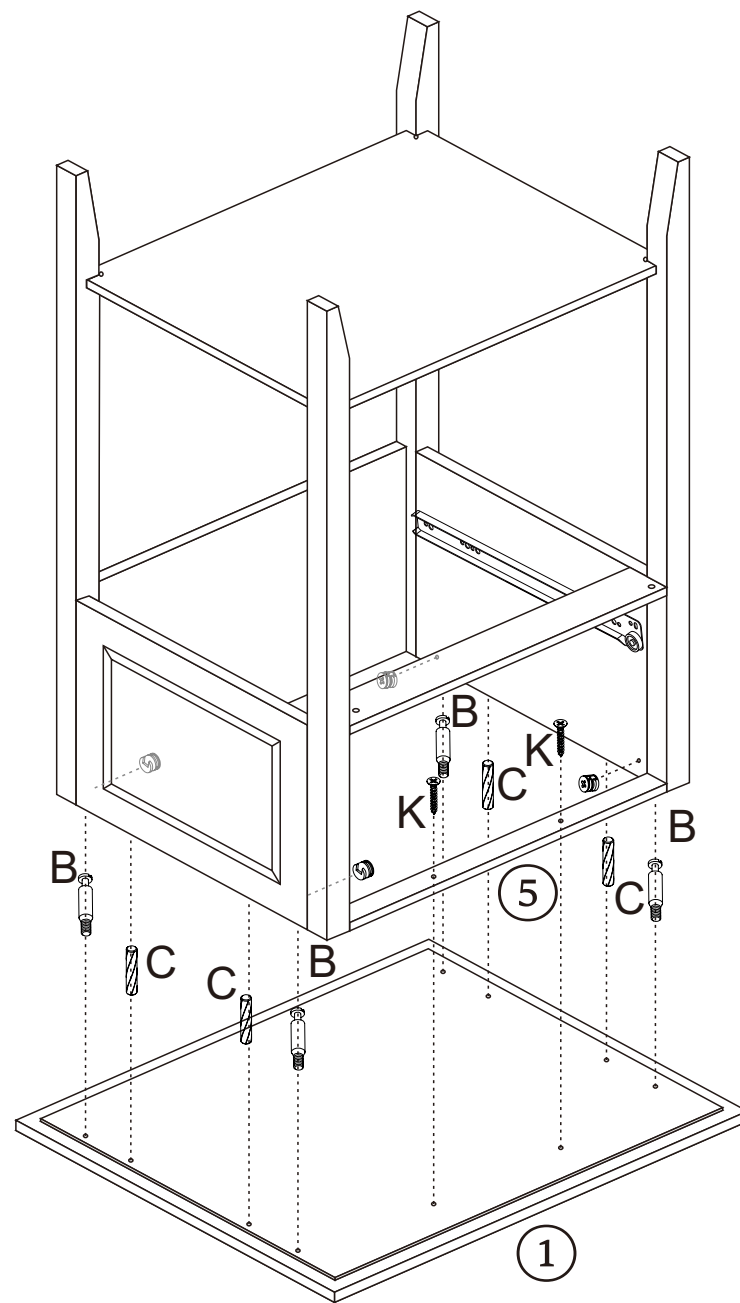
3



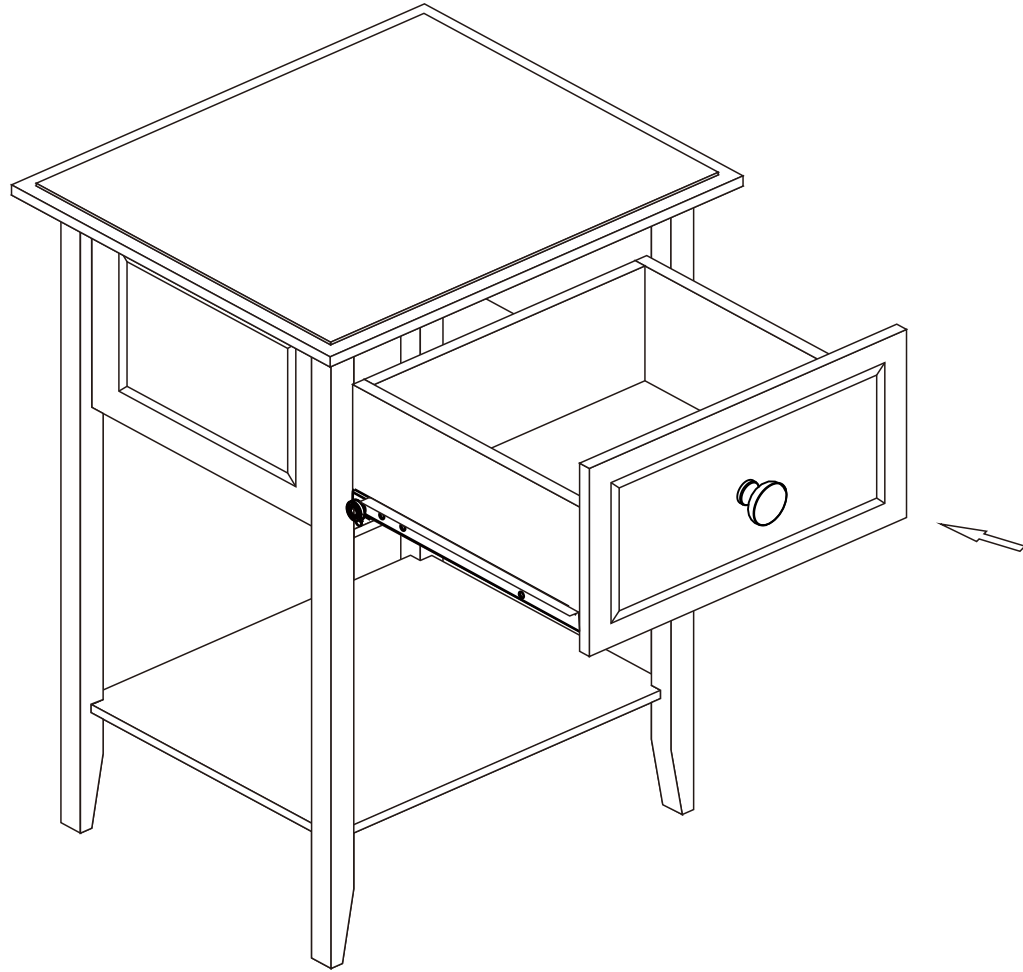
4



5



6



7

